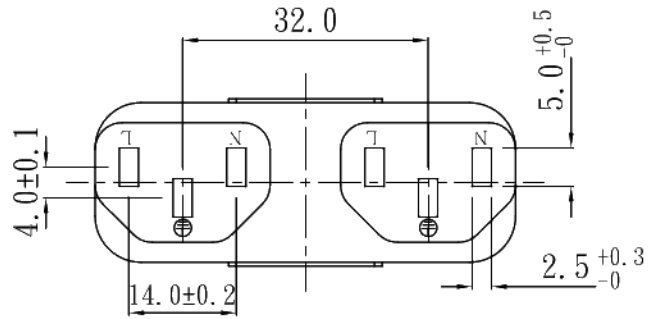


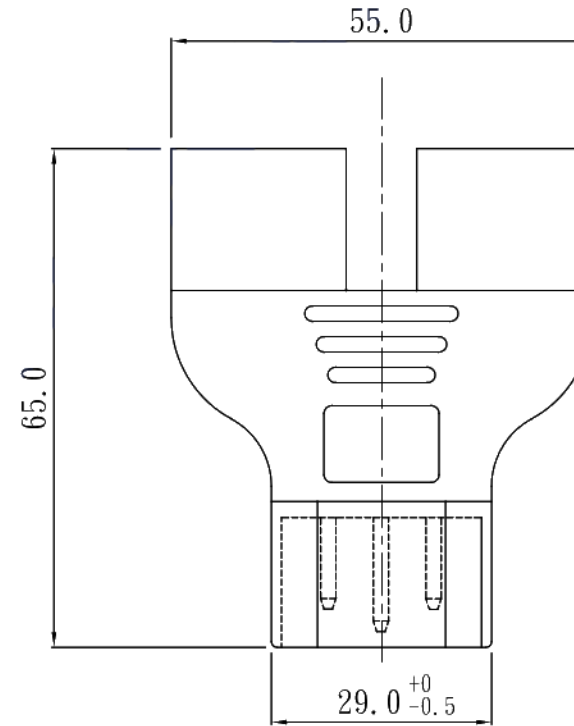
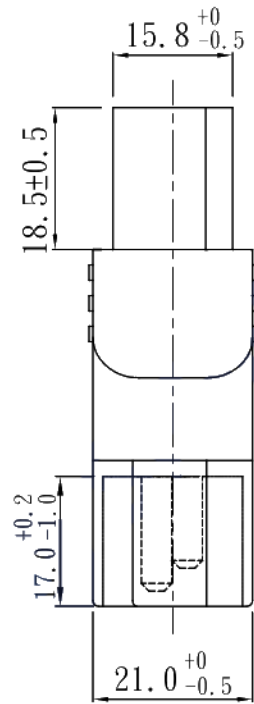
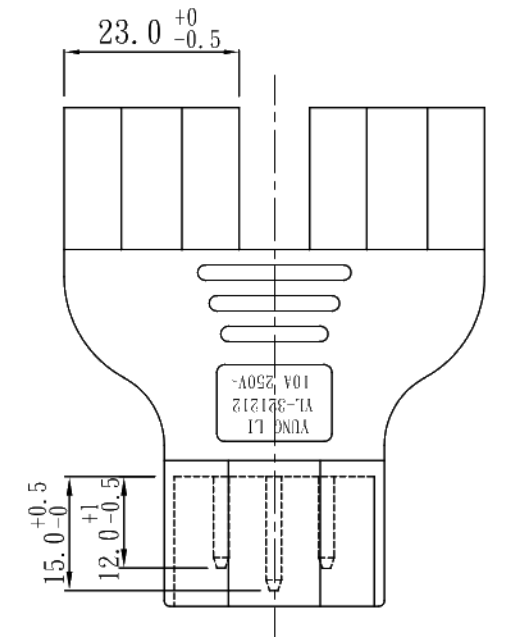
# Two IEC 60320 C13s to IEC 60320 C14 Plug



60MM

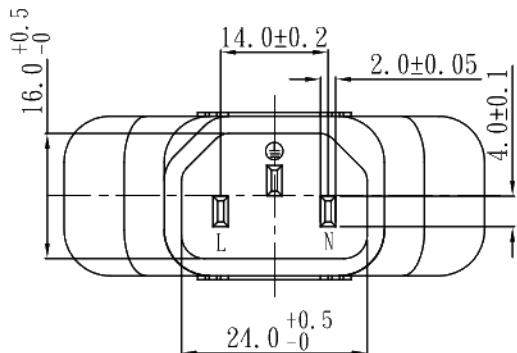
**CAUTION:** This plug adapter does NOT transform voltage or current. Verify that your device can safely operate at the voltage supplied by the source before connecting. Assure voltage and current are less than or equal to the rating listed on the adapter. Voltage mismatch can cause damage to your device or even bodily harm.


60MM



Note:

1. Rating: 10A 250V
2. Insulation Resistance: 100MΩ
3. Dielectric Voltage: 2000V/sec



TOLERANCE >0 ± 0.30 >1.0 ± 0.50 >10.0 ± 1.0 >20.0 ± 2.0 Angle: ±1°	APPROVED		DATE					
	CHECKED		DATE					
	DRAWN	SUKI	DATE	21.02.04	CUSTOMER			
	TYPE	YL-321212			P/N	YL-321212		
	DRAWING NO.	CY-A321212	REV	B	MATERIAL	P. V. C	UNIT	mm
				SCALE				