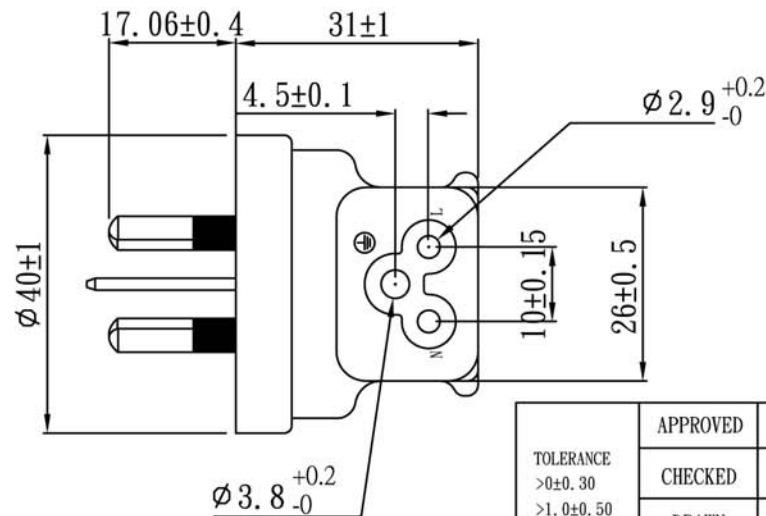
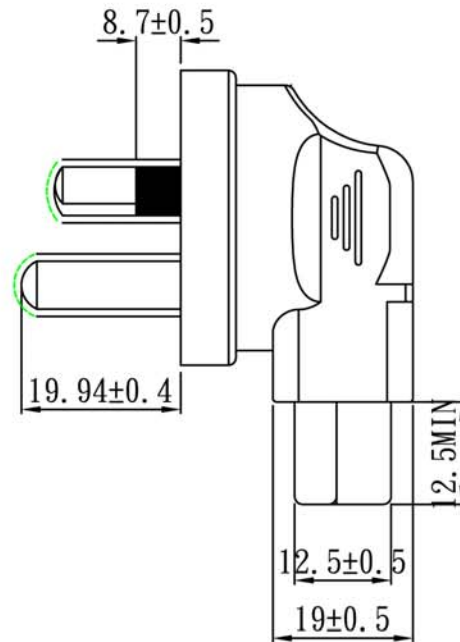
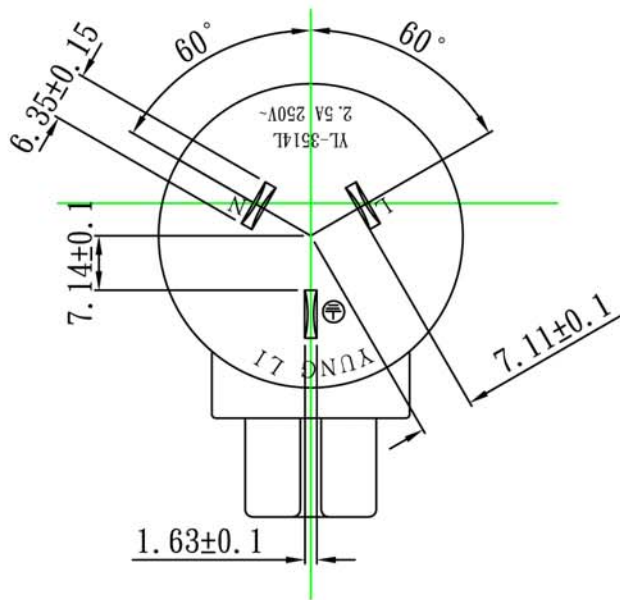


Down Angle IEC 60320 C5 to AS 3112 Plug



Note:

1. Rating: 2.5A 250V
2. Insulation Resistance: 100MΩ
3. Dielectric Voltage: 2000V/sec

TOLERANCE >0±0.30 >1.0±0.50 >10.0±1.0 >20.0±2.0 Angle: ±1°	APPROVED		DATE		
	CHECKED		DATE		
	DRAWN		DATE		
	TYPE	YL-3514L		P/N	
DRAWING NO.	CY-A3514L	SCALE	1:1	UNIT	mm