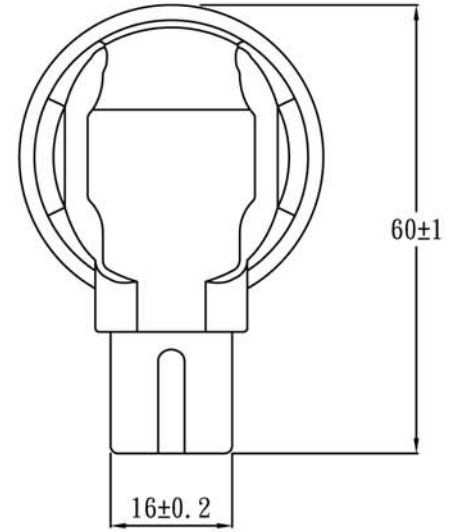
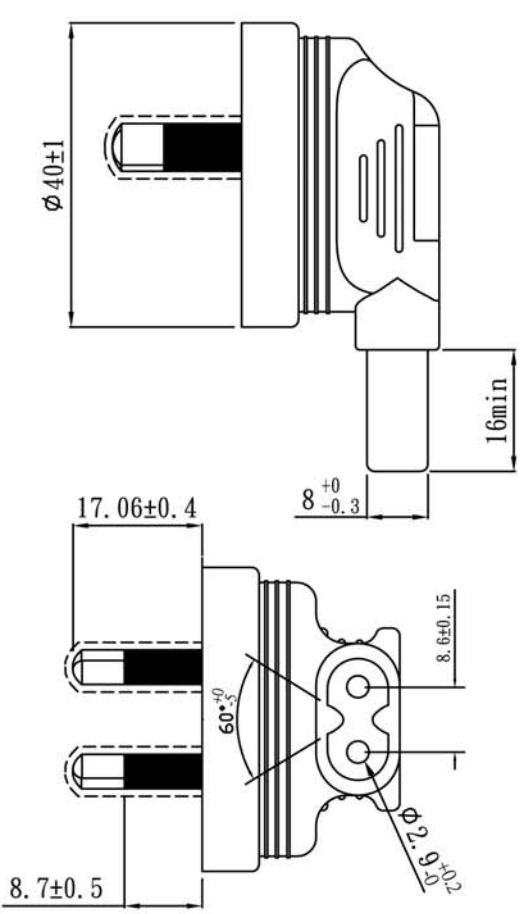
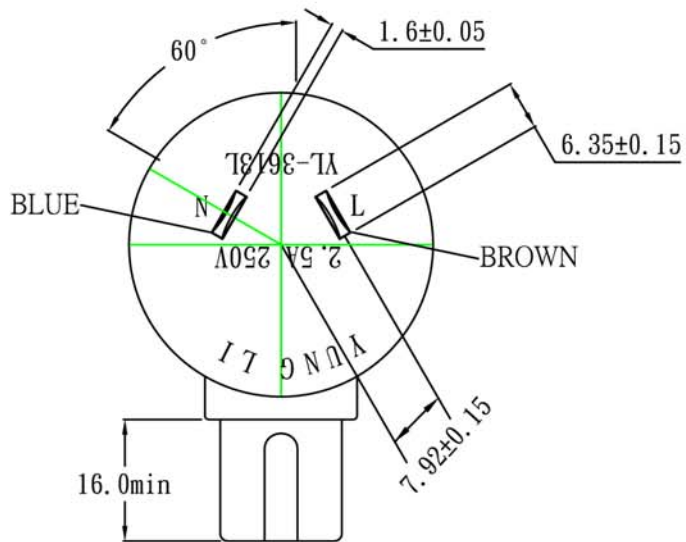



# Down Angle IEC 60320 C7 to AS 3112 Plug



- Note:
- 1.Rating:2.5A 250V
  - 2.Insulation Resistance:100MΩ
  - 3.Dielectric Voltage:2000V/sec

TOLERANCE >0±0.30 >1.0±0.50 >10.0±1.0 >20.0±2.0 Angle: ±1°	APPROVED		DATE		 1-888-275-8755			
	CHECKED		DATE					
	DRAWN		DATE					
	TYPE	YL-3613L			P/N			
	DRAWING NO.	CY-A3613L			MATERIAL	P. V. C	UNIT	mm
				SCALE	1:1			