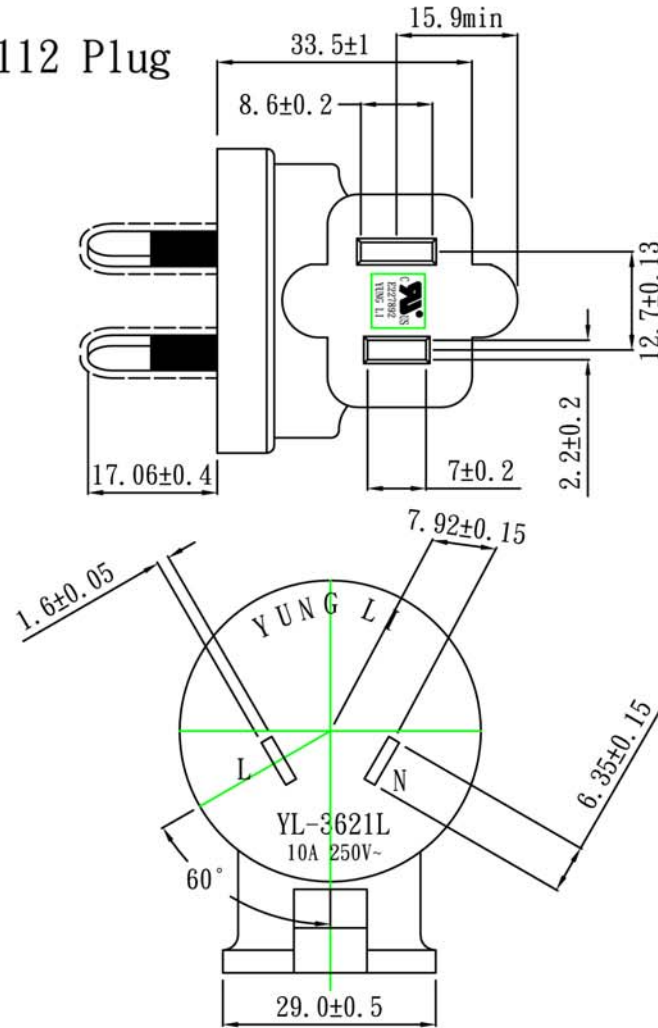


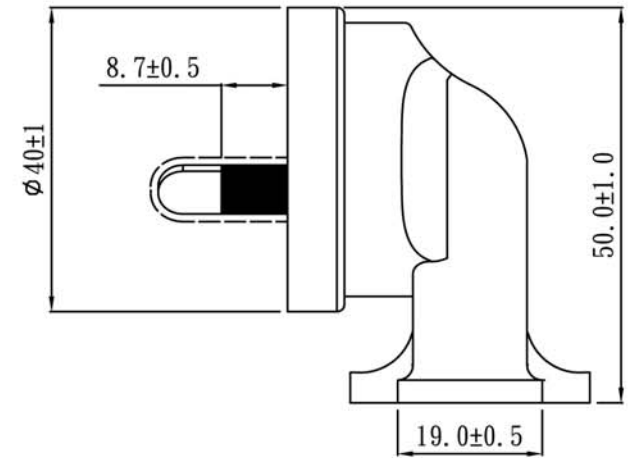


Down Angle NEMA 1-15R to AS 3112 Plug



Note:

1. Rating: 1250W
2. Insulation Resistance: 100MΩ
3. Dielectric Voltage: 2000V/sec



| | | | | | | | | |
|--|-------------|-----------|------|-------|--------------------|---------|------|----|
| TOLERANCE >0±0.30 >1.0±0.50 >10.0±1.0 >20.0±2.0 Angle: ±1° | APPROVED | | DATE | | 1-888-275-8755 | | | |
| | CHECKED | | DATE | | | | | |
| | DRAWN | | DATE | | | | | |
| | TYPE | YL-3621L | | | P/N | | | |
| | DRAWING NO. | CY-A3621L | | | MATERIAL | P. V. C | UNIT | mm |
| | | | | SCALE | 1:1 | | | |