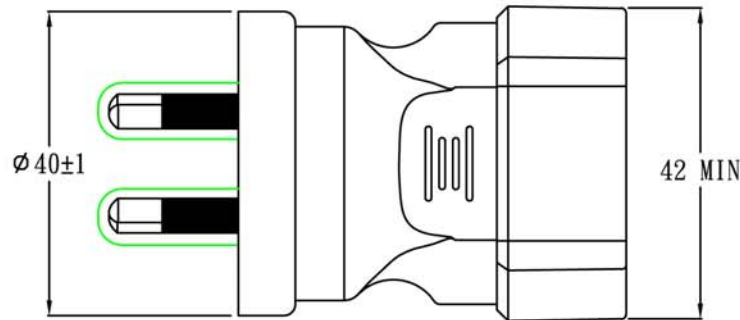
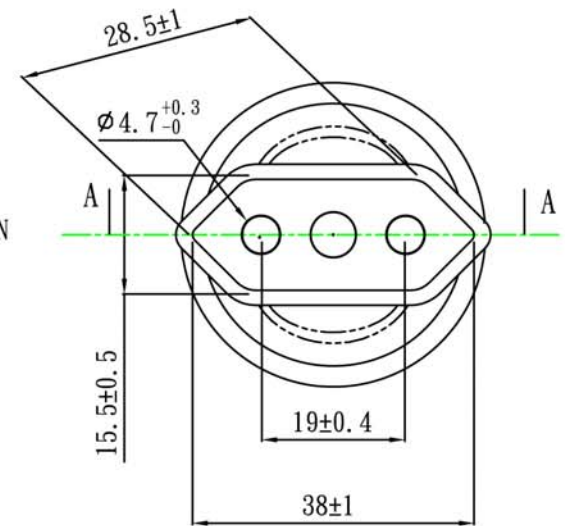
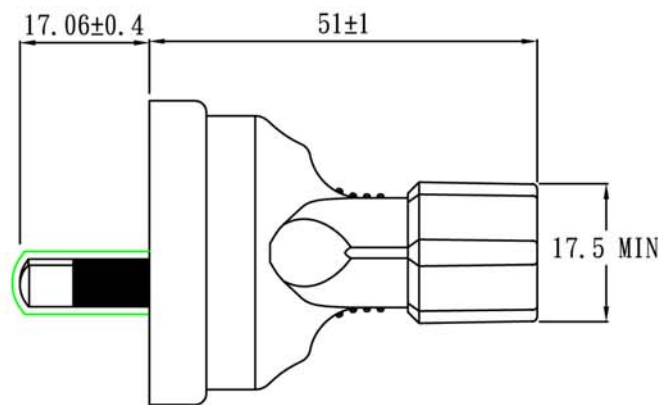
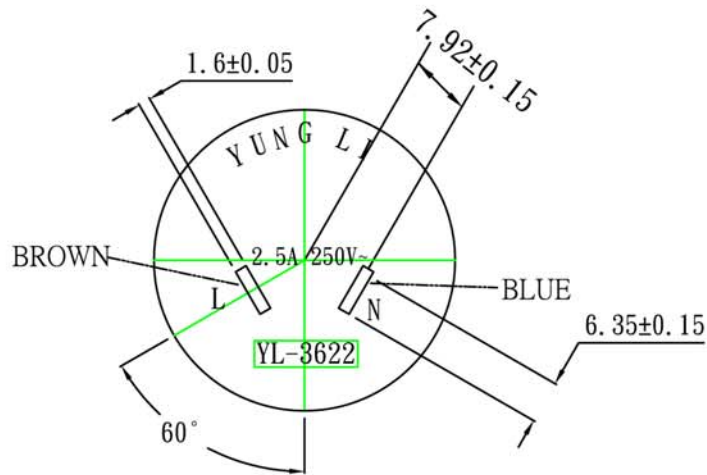


CEE 7/16 to AS 3112 Plug




Note:

1. Rating: 2.5A 250V
2. Insulation Resistance: 5MΩ
3. Dielectric Voltage: 2000V/sec



A--A

TOLERANCE >0±0.30 >1.0±0.50 >10.0±1.0 >20.0±2.0 Angle: ±1°	APPROVED		DATE					
	CHECKED		DATE					
	DRAWN		DATE		CUSTOMER			
	TYPE	YL-3622			P/N			
	DRAWING NO.	CY-A3622	REV	B	MATERIAL	P. V. C	UNIT	mm
				SCALE	1:1	