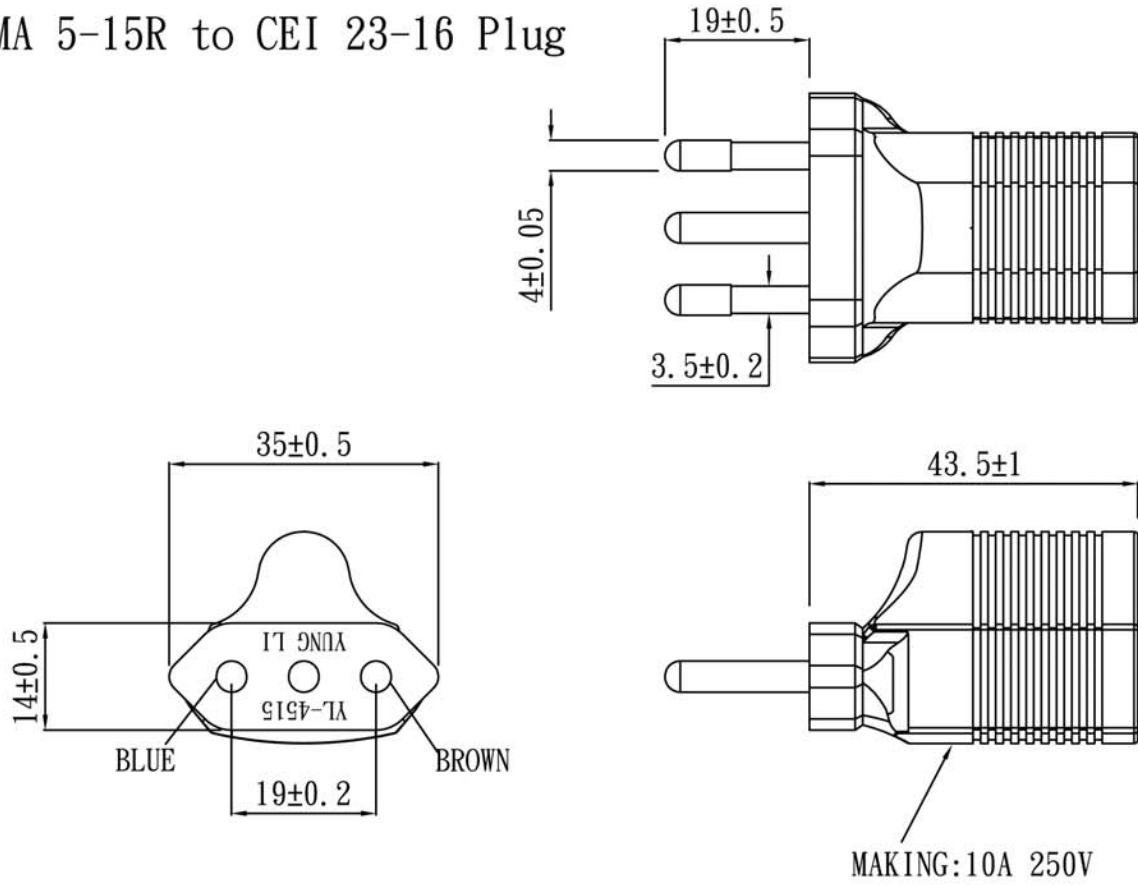
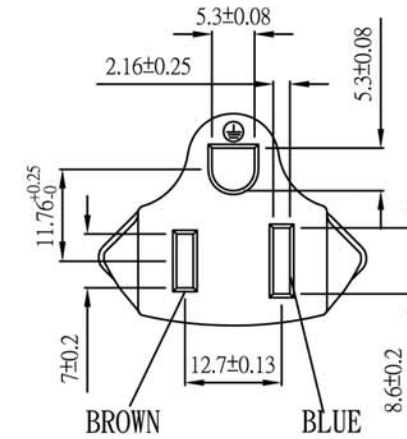



# NEMA 5-15R to CEI 23-16 Plug



## Note:

1. Rating: 10A 250V
2. Insulation Resistance: 100MΩ
3. Dielectric Voltage: 2000V/sec



TOLERANCE >0±0.30 >1.0±0.50 >10.0±1.0 >20.0±2.0 Angle: ±1°	APPROVED		DATE	 1-888-275-8755				
	CHECKED		DATE					
	DRAWN		DATE					
	TYPE	YL-4515		P/N				
	DRAWING NO.	CY-A4515-01		SCALE	1:1	MATERIAL	P. V. C	UNIT