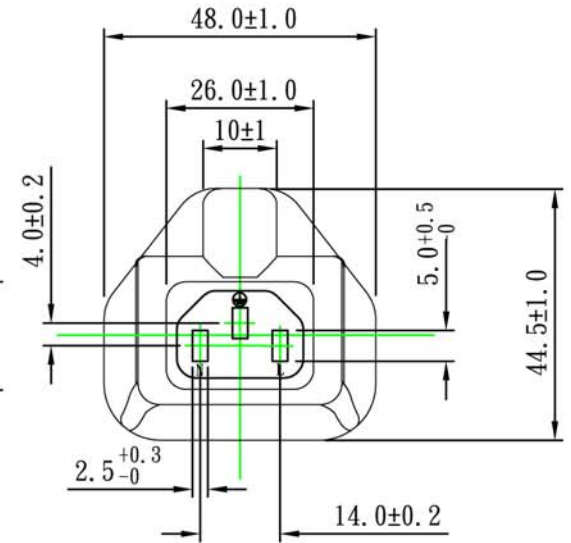
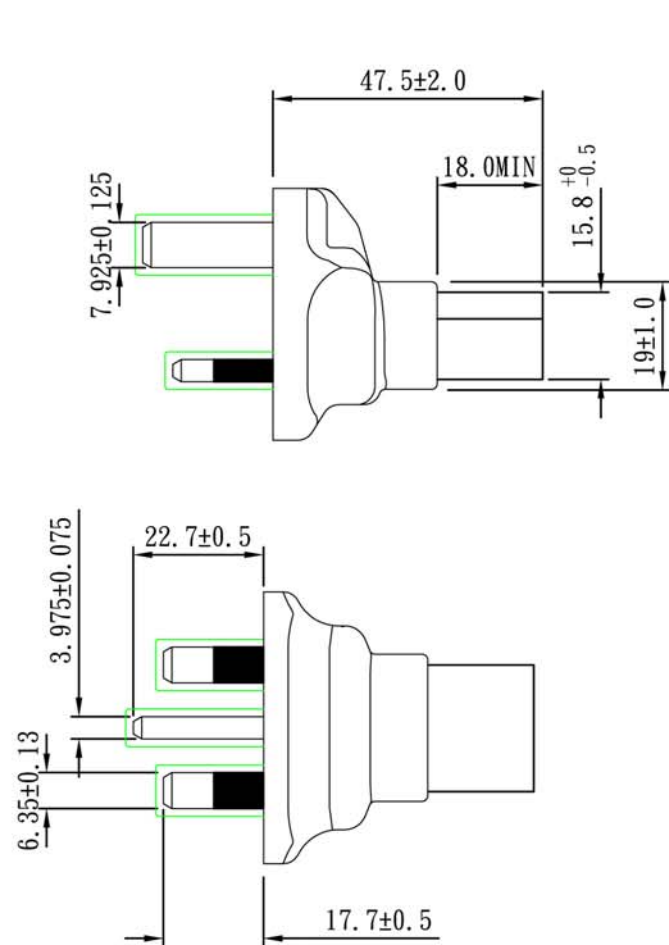
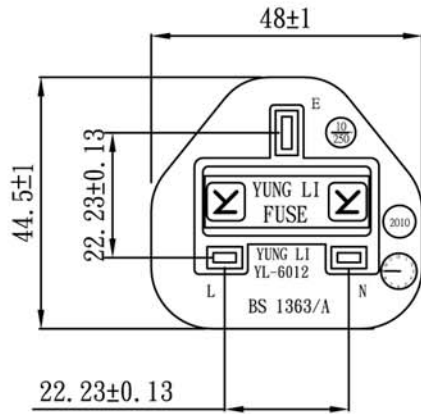


MARKING: YL-6012 YUNG-LI 10/250~ BS1363/A




IEC C13 to BS1363



Note:

1. Rating: 10A 250V~
2. Insulation Resistance: 5MΩ
3. Dielectric Voltage: 2000V/sec

TOLERANCE >0±0.30 >1.0±0.50 >10.0±1.0 >20.0±2.0 Angle: ±1°	APPROVED		DATE		 1-888-275-8755			
	CHECKED		DATE					
	DRAWN		DATE					
	TYPE	YL-6012			P/N			
	DRAWING NO.	CY-A6012-01			MATERIAL	P. V. C	UNIT	mm

SCALE	1:1		
-------	-----	---	---