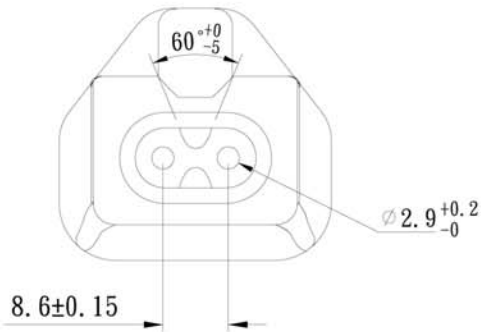
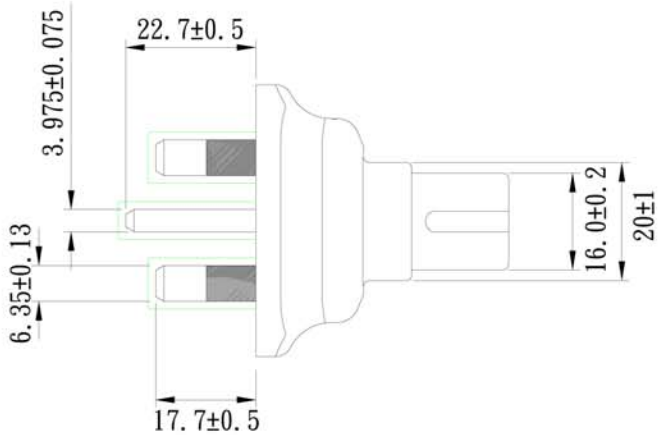
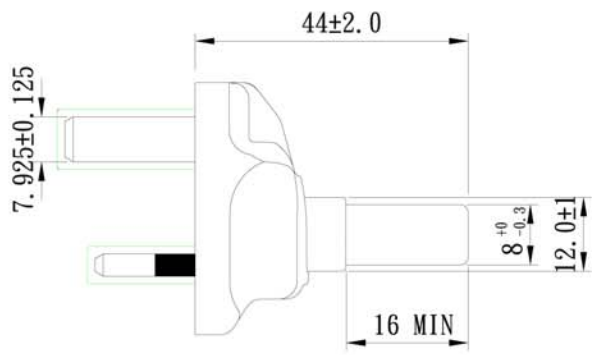
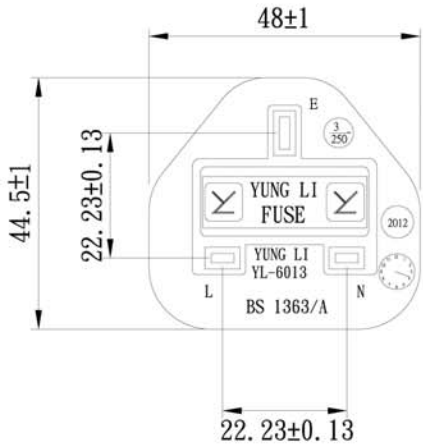



MARKING: YL-6013 YUNG LI 3/250~ BS1363/A



IEC C7 to BS1363



- Note:
1. Rating: 3A 250V~
  2. Insulation Resistance: 5MΩ
  3. Dielectric Voltage: 2000V/sec

TOLERANCE >0±0.30 >1.0±0.50 >10.0±1.0 >20.0±2.0 Angle: ±1°	APPROVED	DATE	 1-888-275-8755				
	CHECKED	DATE					
	DRAWN	DATE					
	TYPE	YL-6013		P/N			
	DRAWING NO.	CY-A6013-01		MATERIAL	P. V. C	UNIT	mm
			SCALE	1:1	