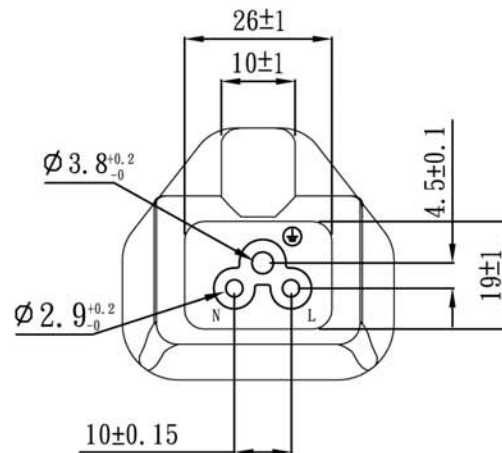
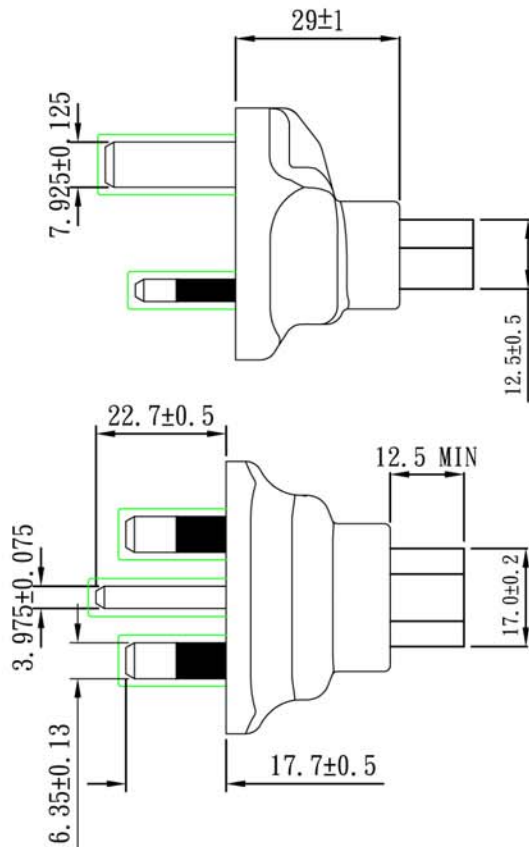
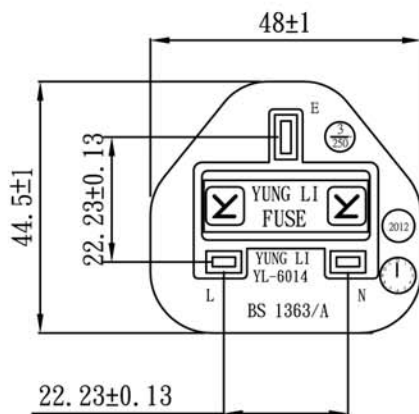


MARKING: YL-6014 YUNG LI 3/250~ BS1363/A




### IEC C5 to BS1363



Note:

1. Rating: 3A 250V~
2. Insulation Resistance: 100MΩ
3. Dielectric Voltage: 2000V/sec

TOLERANCE >0±0.30 >1.0±0.50 >10.0±1.0 >20.0±2.0 Angle: ±1°	APPROVED		DATE					
	CHECKED		DATE					
	DRAWN		DATE		CUSTOMER			
	TYPE	YL-6014			P/N			
	DRAWING NO.	CY-A6014-01			MATERIAL	P. V. C	UNIT	mm
	SCALE	1:1			