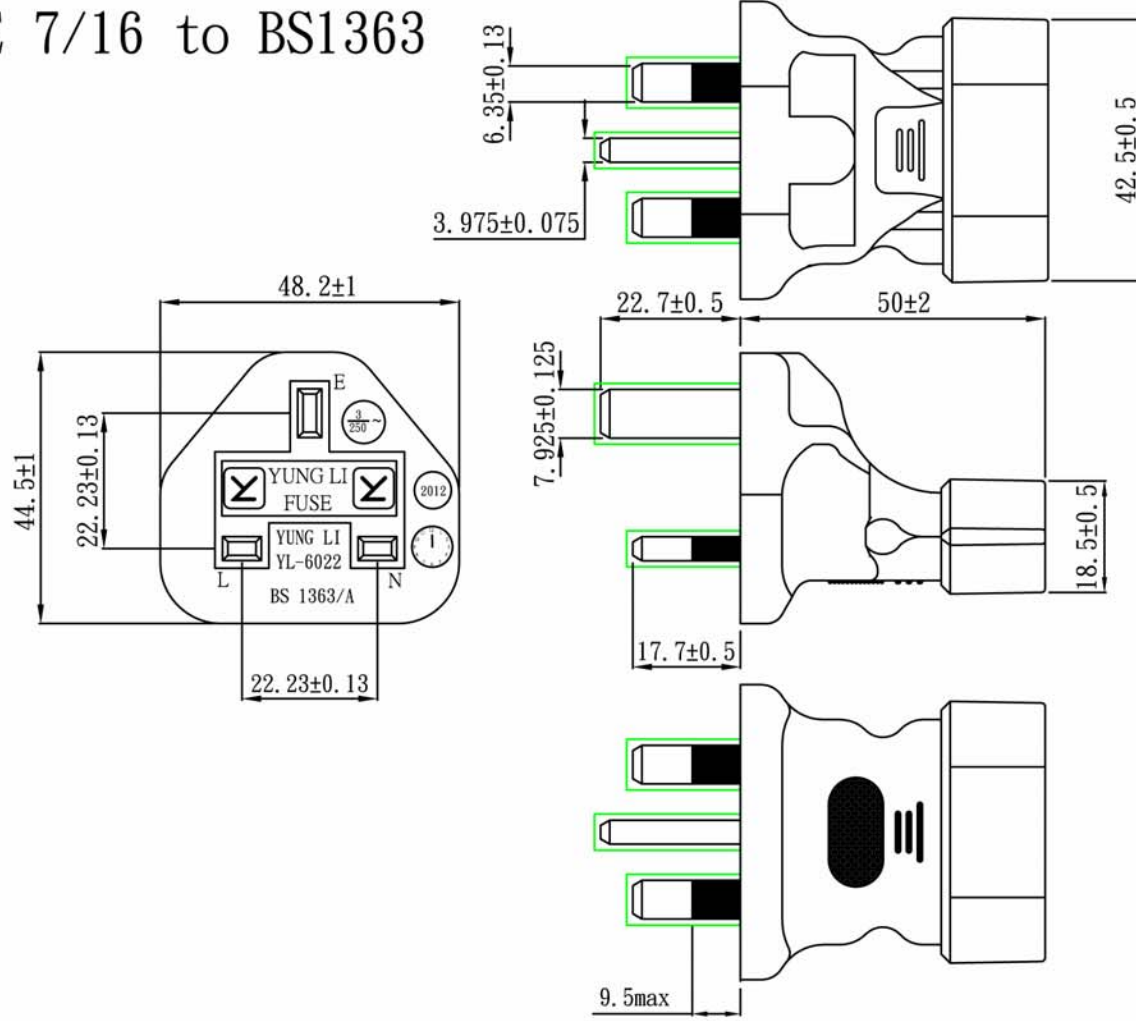


MARKING: YL-6022 YUNG-LI 3/250~ BS1363/A

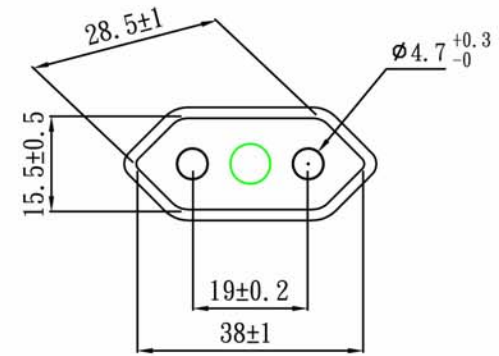


CEE 7/16 to BS1363



Note:

1. Rating: 3A 250V
2. Insulation Resistance: 100MΩ
3. Dielectric Voltage: 2000V/sec



TOLERANCE >0±0.30 >1.0±0.50 >10.0±1.0 >20.0±2.0 Angle: ±1°	APPROVED		DATE		 1-888-275-8755				
	CHECKED		DATE						
	DRAWN		DATE						
	TYPE	YL-6022			P/N				
	DRAWING NO.	CY-A6022-02			SCALE	1:1	MATERIAL	P. V. C	UNIT