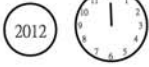


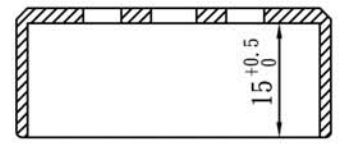
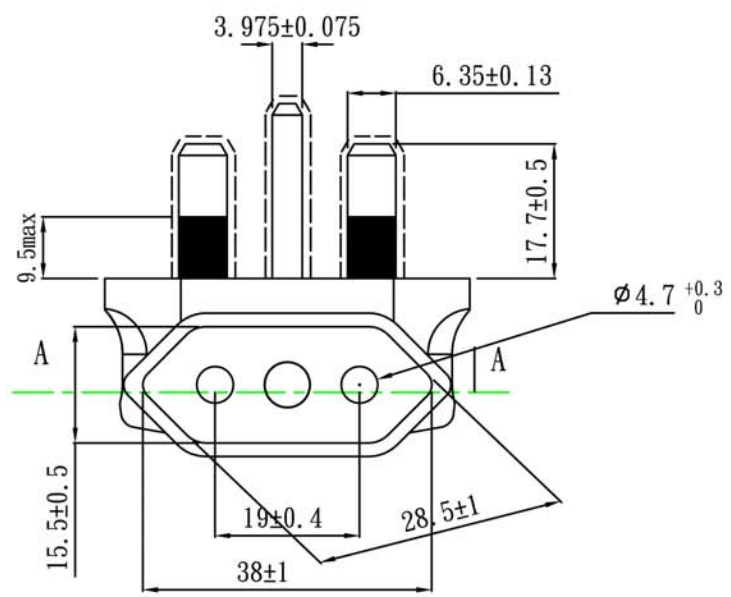
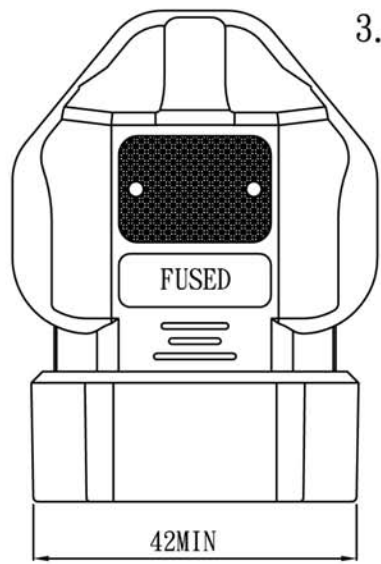
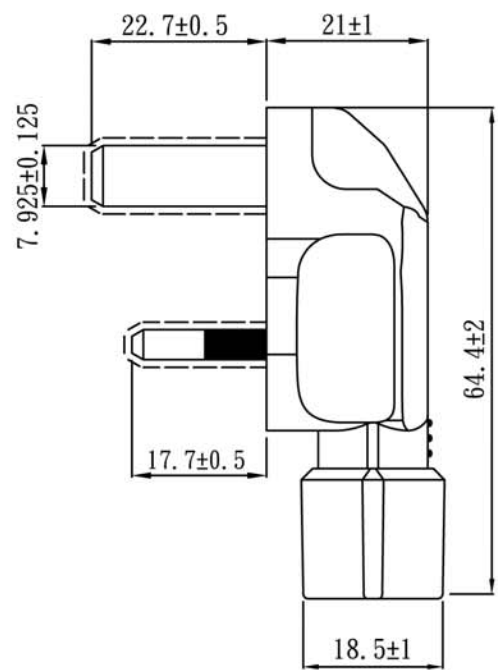
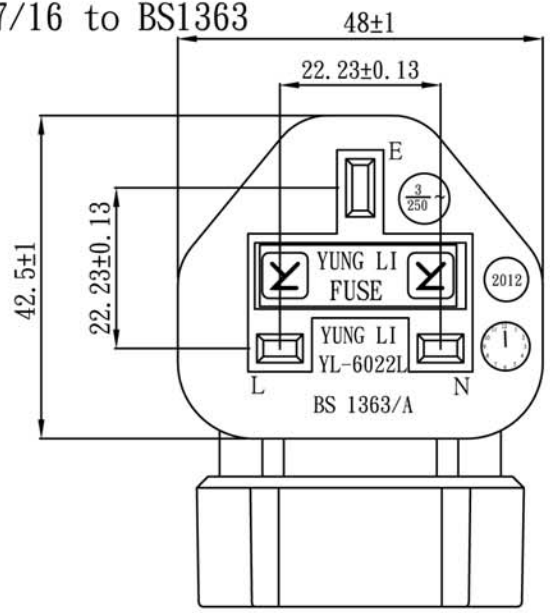
MARKING: YL-6022L YUNG-LI 3/250~ BS1363/A




Note:

1. Rating: 3A 250V
2. Insulation Resistance: 100MΩ
3. Dielectric Voltage: 2000V/sec

CEE7/16 to BS1363



A--A

TOLERANCE >0±0.30 >1.0±0.50 >10.0±1.0 >20.0±2.0 Angle: ±1°	APPROVED		DATE						
	CHECKED		DATE						
	DRAWN		DATE						
	TYPE	YL-6022L			P/N				
DRAWING NO.	CY-A6022L			SCALE	1:1	MATERIAL	P. V. C	UNIT	mm