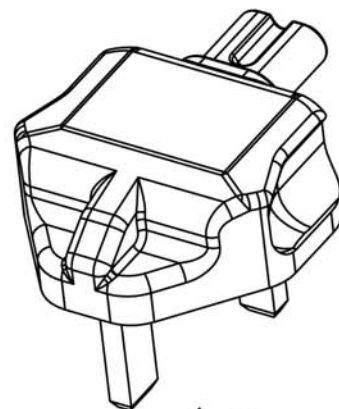
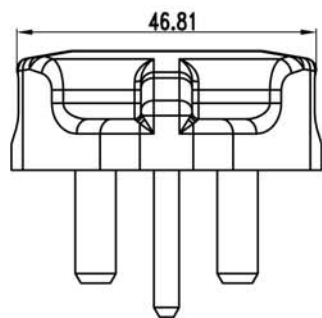
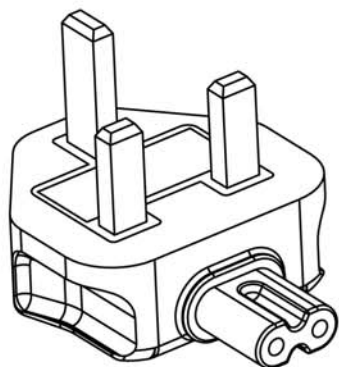
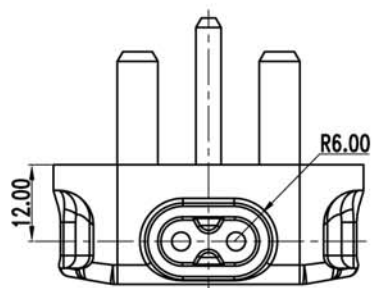
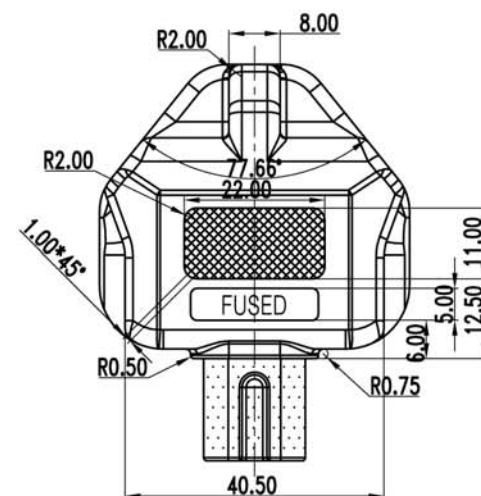
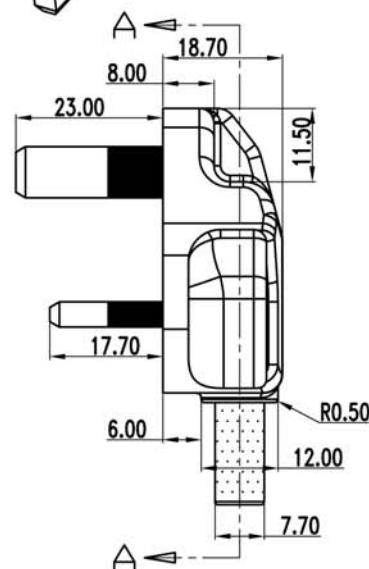
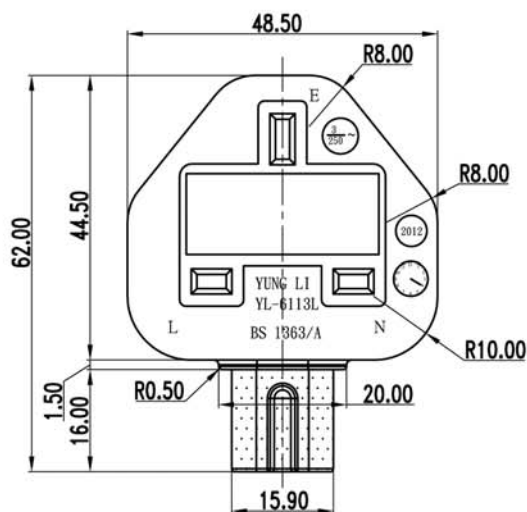
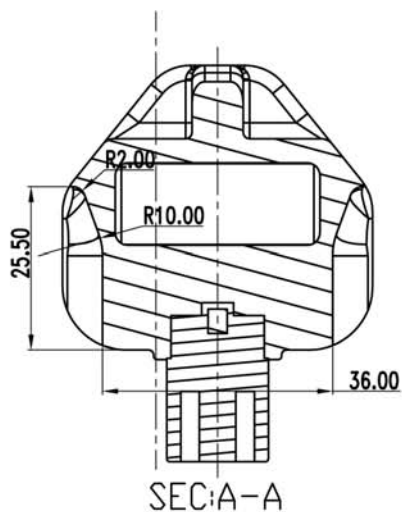



MARKING: YL-6113L YUNG-LI 3/250~ BS1363/A
IEC C5 to BS1363



Note:

1. Rating: 3A 250V~
2. Insulation Resistance: 100MΩ
3. Dielectric Voltage: 2000V/sec



TOLERANCE >0±0.30 >1.0±0.50 >10.0±1.0 >20.0±2.0 Angle: ±1°	APPROVED	DATE				
	CHECKED	DATE				
	DRAWN	DATE				
	TYPE	YL-6113L		P/N		
DRAWING NO.	CY-A6113L		MATERIAL	P. V. C	UNIT	mm
			SCALE	1:1	