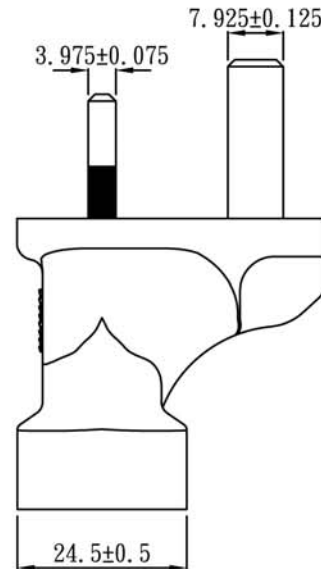
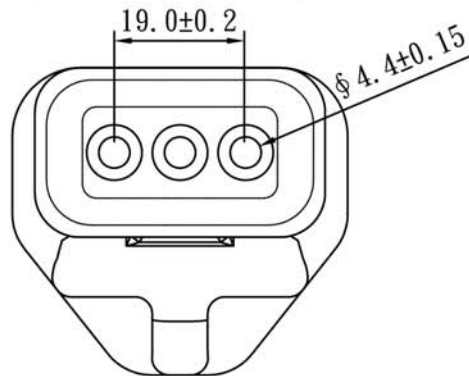
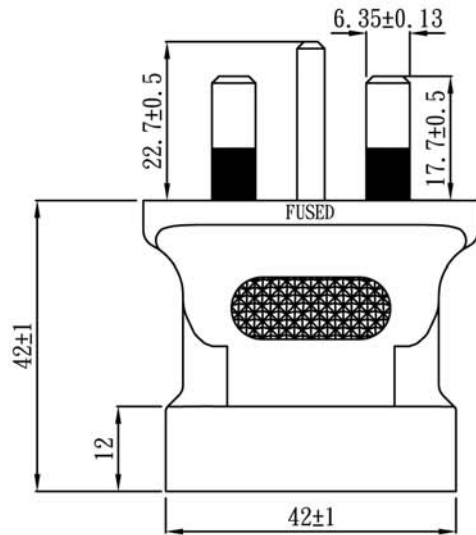
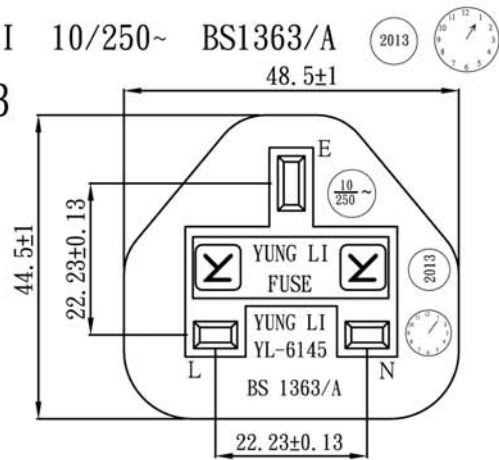



MARKING: YL-6145 YUNG LI 10/250~ BS1363/A
 CEI 23-16 to BS1363



Note:

1. Rating: 10A 250V
2. Insulation Resistance: 100MΩ
3. Dielectric Voltage: 2000V/sec

TOLERANCE >0±0.30 >1.0±0.50 >10.0±1.0 >20.0±2.0 Angle: ±1°	APPROVED		DATE						
	CHECKED		DATE						
	DRAWN		DATE		CUSTOMER				
	TYPE	YL-6145			P/N				
	DRAWING NO.	CY-A6145	REV	B	MATERIAL	P. V. C	UNIT	mm	
				SCALE	1:1				