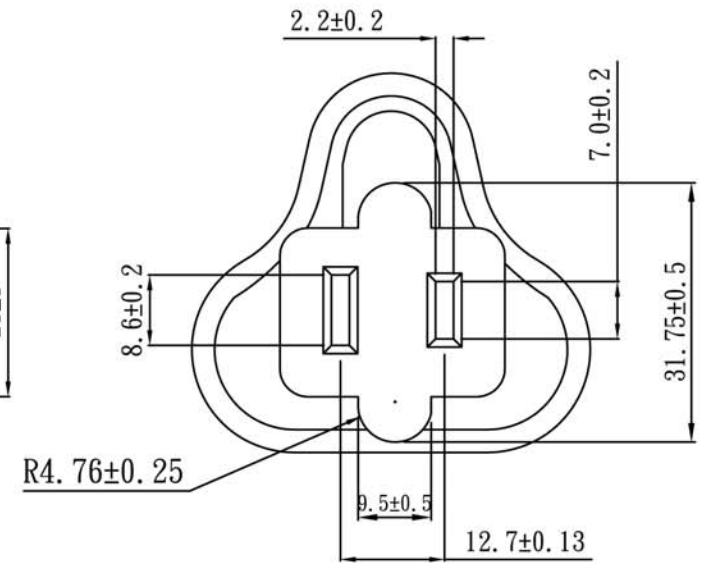
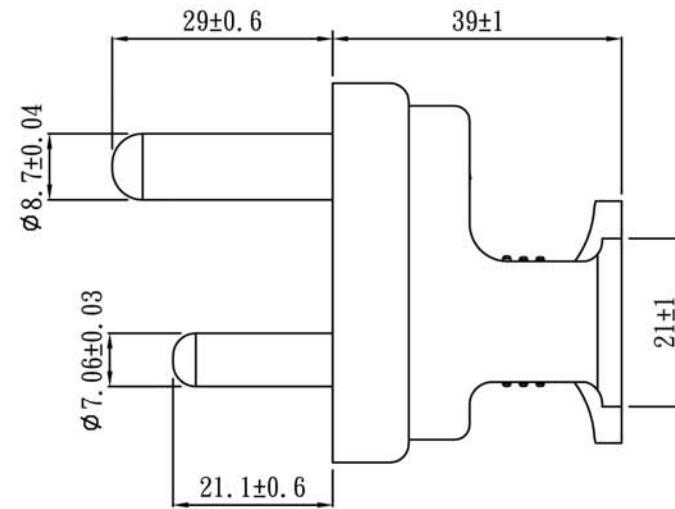
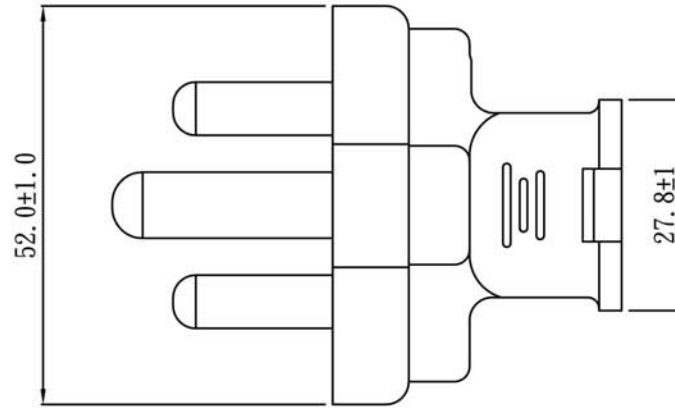
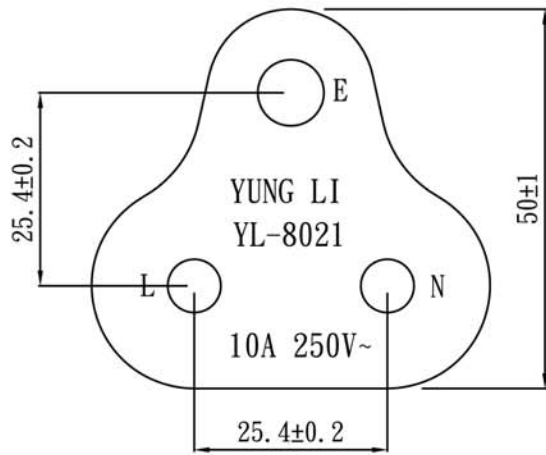



# NEMA 1-15R to BS 546 Plug



## Note:

1. Rating: 10A 250V
2. Insulation Resistance: 100M $\Omega$
3. Dielectric Voltage: 2000V/sec

TOLERANCE >0 $\pm$ 0.30 >1.0 $\pm$ 0.50 >10.0 $\pm$ 1.0 >20.0 $\pm$ 2.0 Angle: $\pm 1^\circ$	APPROVED		DATE		 1-888-275-8755			
	CHECKED		DATE					
	DRAWN		DATE					
	TYPE	YL-8021			P/N			
	DRAWING NO.	CY-A8021			MATERIAL	P. V. C	UNIT	mm
				SCALE	1:1			